



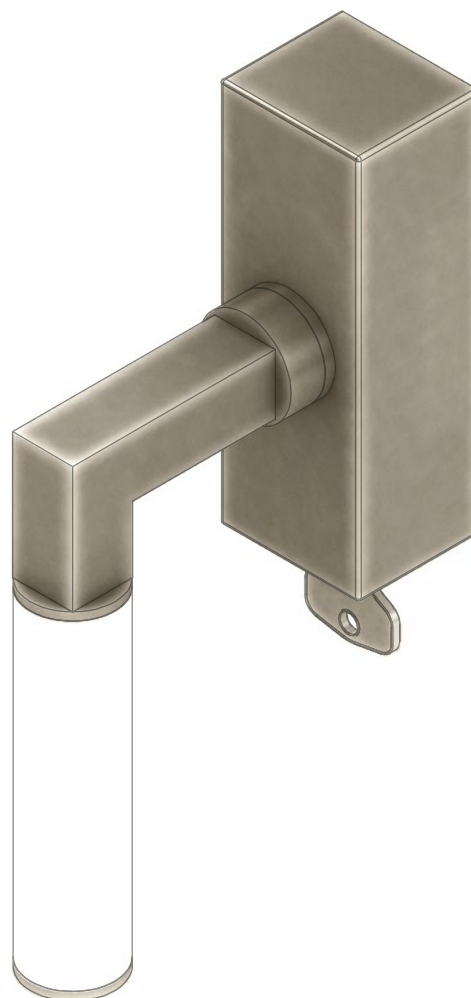
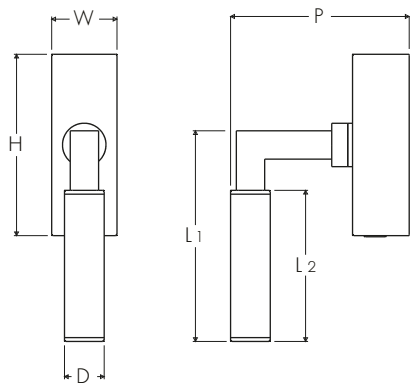
ATELIER BONOMI

Drehkipp con Chiave per Finestra Serie Bauhaus 03 Bauhahs 03 Series Drehkipp Window Handle with Key

Dimensioni Dimensions

	L 1	L 2	P	D	W	H
S	113	80	95	21	35	98
M	123	90	95	21	35	98
L	127	104	105	27	35	98

Dimensioni in millimetri
Dimensions given in millimeters



Fornito con meccanismo DK q.7x45mm e viti M5x50mm.
Disponibile in tutte le finiture standard.

Dimensioni e finiture su misura disponibili su richiesta.

Regularly furnished with DK mechanism q.7x45mm and M5x50mm screws.
Additional sizes available by special order. Available in standard and custom finishes.